



galtdisplayrack

hardwood displays



Hardwood Sample Tower Displays

Hardwood Flooring Sample
Tower Displays



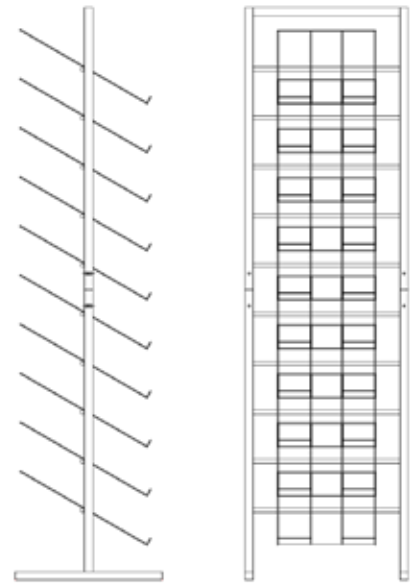
HARDWOOD SAMPLE TOWER DISPLAYS

HAR-10

The HAR-10 Hardwood Sample Display is a tower display that allows you to economically display up to 10 – 18" x 24" hardwood flooring samples. The individual shelves are angled to allow for maximum visibility and easy handling of your flooring samples.

Available in custom size configurations, this flooring display is easy to assemble, includes all hardware and comes in a durable powder-coated finish.

5'-10"H x 21"W x 19"D



HAR-1920

Our HAR-1920 Hardwood Sample Display is a tower display that allows you to economically display up to 10 – 19"x20" hardwood flooring samples. The individual shelves are angled to allow for maximum visibility and easy handling of your flooring samples.

Available in custom size configurations, this flooring display is easy to assemble, includes all hardware and comes in a durable powder-coated finish.

5'-3"H x 28"W x 42"D

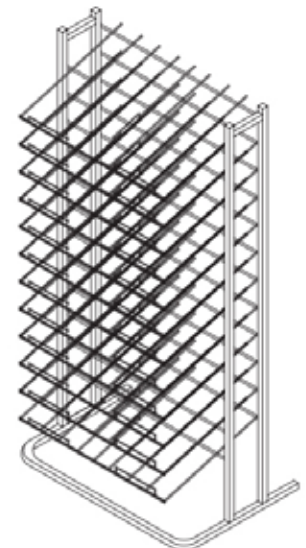


HAR-24

Our HAR-24 hardwood flooring sample display is a tower display that allows you to economically display up to 24 – 16" x 24" hardwood flooring samples. The individual shelves are angled to allow for maximum visibility and easy handling of your hardwood samples.

Available in custom size configurations, this flooring display is easy to assemble, includes all hardware and comes in a durable powder-coated finish.

5'-10"H x 36"W x 18"D



HARDWOOD SAMPLE TOWER DISPLAYS

HAR-1818

Our HAR-1818 Hardwood Sample Display is a tower display that allows you to economically display up to 15 – 18"x18" hardwood flooring samples. It's unique curved design easily blends into any store decor. The individual shelves are angled to allow for maximum visibility and easy handling of the samples.

Available in custom size configurations, this flooring display is easy to assemble, includes all hardware and comes in a durable powder-coated finish.

7'-5"H x 22"W x 26"D



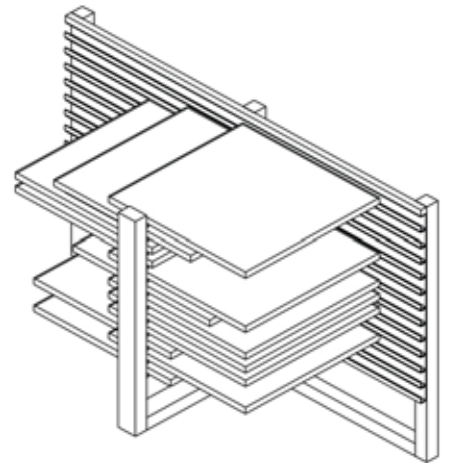
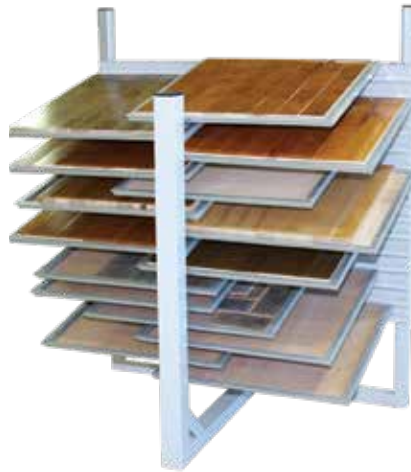
Model CER-15

This sliding shelf display allows for easy showing of your ceramics, laminates or hardwood samples in the ample square shelves that slide effortlessly from side to side to present the product in full view. The 15 shelves, which can be modified to fit your samples, are angled down at the front to allow for a better viewing position.

This flooring display is easy to assemble, includes all hardware and comes in a durable powder-coated finish in various colours.

CER-15-26: 4'-4"H x 4'-4"W x 34"D

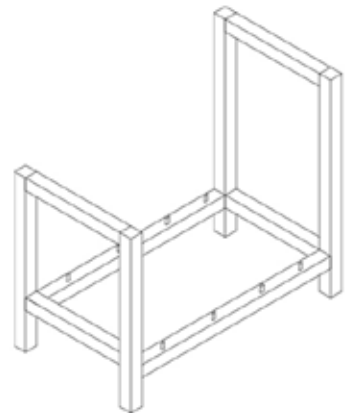
CER-15-36: 4'-4"H x 6'W x 45"D



Model CER-25

Our CER-25 ceramic bin is strong and contemporary in design. It will hold various sized boards from 18" x 23" up to 21" x 30" in size. It is shipped in a knocked down condition with minimal assembly required.

26"H x 13"W x 27"D



galtdisplayrack

h a r d w o o d d i s p l a y s

Hardwood Sample Tower Displays

Hardwood Flooring Sample Tower Displays

Galt Display Rack has a full line of products to fit all of your hard surface material needs. Our product line ranges from economical sample bins and tower displays ... to the elaborate, European inspired sliding displays.

Our facility is also fully equipped to manufacture custom-made displays that will suit your specific product needs.

Galt Display Rack Company Ltd

141 Savage Drive
Cambridge, Ontario, Canada N1T 1S5
Phone: 519.623.0430
Fax: 519.623.4638
Toll Free: 1.800.461.3892

www.galtdisplayrack.com

for more information, info@galtdisplayrack.com